

302F Ball Valve

3-Piece Full Port



For Manual Service

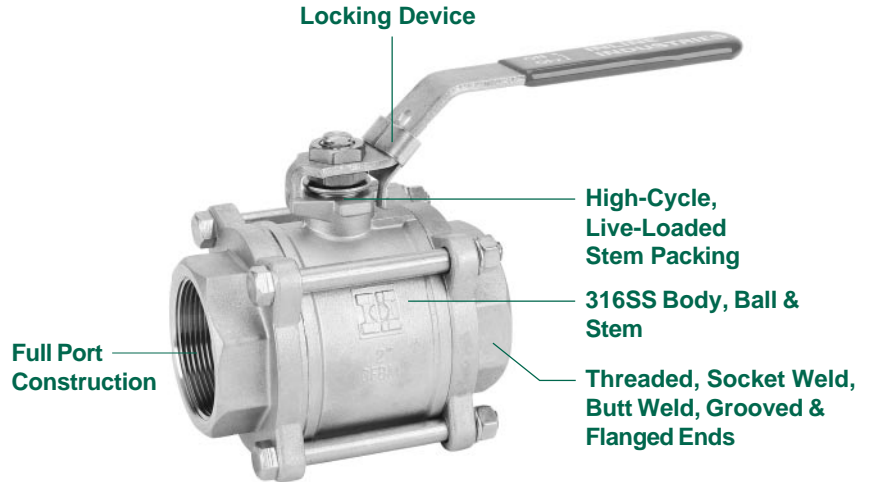
General Chemical

Industrial

and Other Corrosion
Resistant Applications

The 302F Series Ball Valve

The 302F series ball valve delivers exceptional performance and economy in a 3-piece design. Full porting improves flow rates and minimizes pressure drop through the valve. Our unique metal-backed seat design enhances overall valve performance while our live-loaded stem packing automatically adjusts for wear and thermal variations.



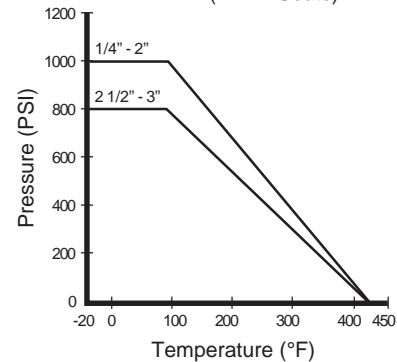
Standard Features and Benefits

- 1 **High-Cycle, Live-Loaded Stem Packing**
Dynamic loading on stem packing ensures a tight seal through varying pressure and temperature conditions, reducing maintenance costs and extending service life
- 1 **Blow-Out-Proof Stem**
Stem is bottom loaded to prevent removal when valve is in service
- 1 **Full Port Design**
Improves flow resulting in increased process efficiencies
- 1 **3-Piece Construction**
Easy to repair
- 1 **Locking Device**
Enables plant personnel to secure valve in open or closed position when manually operated
- 1 **End Cap Alignment Step**
Ensures easy and proper alignment between mating parts
- 1 **Investment Cast**
Improves dimensional control and reduces porosity
- 1 **Standard Seats and Seals Suitable for 150 PSI Saturated Steam**

Options

- 1 End connections available in NPT, socket weld, butt weld, flanged, compression, tank bottom, and grooved

302F Pressure / Temperature Chart
(RTFE Seats)

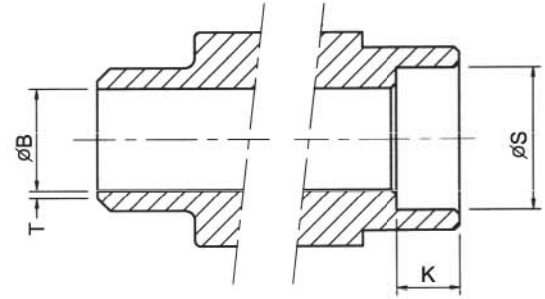
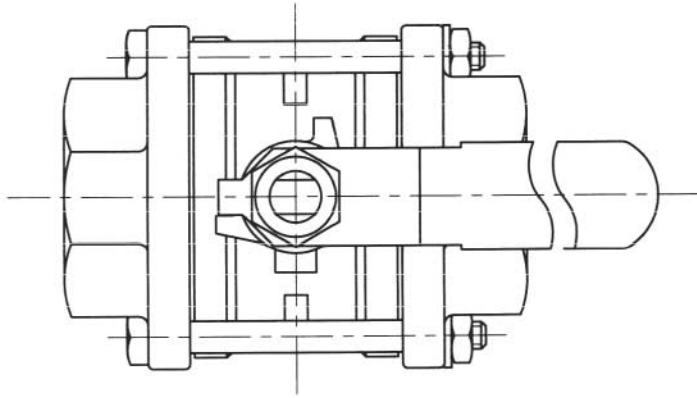


Operating Conditions

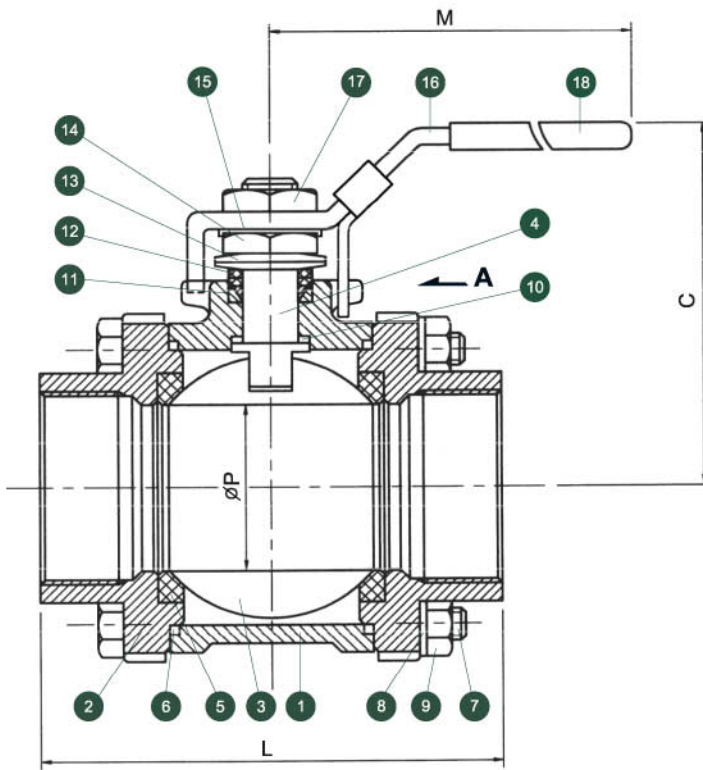
- 1 Temperature range (RTFE):
-20°F ~ 420°F
- 1 Maximum pressure (RTFE):
1000 PSI WOG (1/4" - 2"),
800 PSI WOG (2 1/2" - 3")

Specifications

- 1 All valves shell and seat tested to ANSI/ASME B16.34 and API 598
- 1 All materials comply with applicable ASTM material specifications
- 1 End connections: All to B16.34; NPT to B1.20.1; socket weld to B16.11; butt weld to B16.25; flanged to B16.5



Butt Weld/Socket Weld



Valve Components			
#	Part Name	Material	Qty.
1	Body	A351 Gr. CF8M	1
2	End Cap	A351 Gr. CF8M	2
3	Ball	316SS	1
4	Stem	316SS	1
5	Seat	RTFE (15% G.F.)	2
6	Body Seal	PTFE	2
7	Body Bolt	304SS	4
8	Spring Washer	304SS	4
9	Body Nut	304SS	4
10	Thrust Washer	RTFE (15% C.F.)	1
11	Stem Packing Set	PTFE	1
12	Packing Gland	304SS	1
13	Belleilve Washer	301SS	2
14	Gland Nut	304SS	1
15	Gland Nut Lock Washer	304SS	1
16	Handle	304SS	1
17	Handle Nut	304SS	1
18	Handle Cover	Vinyl	1

Dimensions (Inches)									
Size	L	P	C	M	B	T	S	K	Weight (lbs)
1/4	2.06	0.44	2.10	4.20	0.39	0.04	0.56	0.44	0.79
3/8	2.06	0.49	2.10	4.20	0.49	0.04	0.69	0.44	0.77
1/2	2.32	0.59	2.20	4.20	0.59	0.04	0.86	0.50	0.88
3/4	3.02	0.79	2.40	4.92	0.79	0.04	1.07	0.56	1.65
1	3.30	0.98	2.80	5.72	0.98	0.06	1.33	0.62	2.30
1 1/4	3.91	1.25	3.02	5.74	1.26	0.06	1.67	0.69	3.60
1 1/2	4.41	1.50	3.88	7.40	1.50	0.06	1.92	0.75	5.50
2	5.15	1.97	4.05	7.40	1.97	0.08	2.41	0.87	9.00
2 1/2	6.45	2.56	5.51	11.83	2.55	0.19	2.91	0.87	17.40
3	7.40	3.15	5.86	11.83	3.15	0.19	3.54	1.00	26.00



Direct Mount Products



Automation Systems

302F Ordering Information

Example: 2" 3-Piece Full Port Ball Valve with Lever Handle and Locking Device, 316SS Body and Trim, RTFE (15% G.F.) Seats, PTFE Seals, NPT Ends

Valve Series	Valve Size	Body Material	End Material	Ball Material	Stem Material	Seat	Seal	End Connection	Port	Ball Config.
302F - Full Port	2 1/4" 3 3/8" 5 1/2"	6 - A351 Gr. CF8M (316)	6 - A351 Gr. CF8M (316)	6 - A351 Gr. CF8M (316)	6 - A351 Gr. CF8M (316)	R - RTFE (15% G.F.) C - RTFE (15% C.F.) F - 50% 316SS Filled PTFE T - PTFE U - UHMWPE	T - PTFE U - UHMWPE	T - NPT S - Socket Weld 5 - Butt Weld Sch. 5** 1 - Butt Weld Sch. 10** 4 - Butt Weld Sch. 40** G - Grooved A - ANSI 150# Flanged B - ANSI 300# Flanged P - Compression K - Tank Bottom	2 - 2 Way	S - Straight Port 7 - ASEV Ball

Due to continuous product development, information may change without notice.

** 316L - Standard Material



Distributed by:

INLINE INDUSTRIES, INC.

4701-A Littlejohn Street
Baldwin Park, CA 91706
Tel: (800) 568-8998
(626) 813-6188
Fax: (626) 813-6186
www.ballvalve.com
info@ballvalve.com

© 2011 Inline Industries. All rights reserved.

1106.1