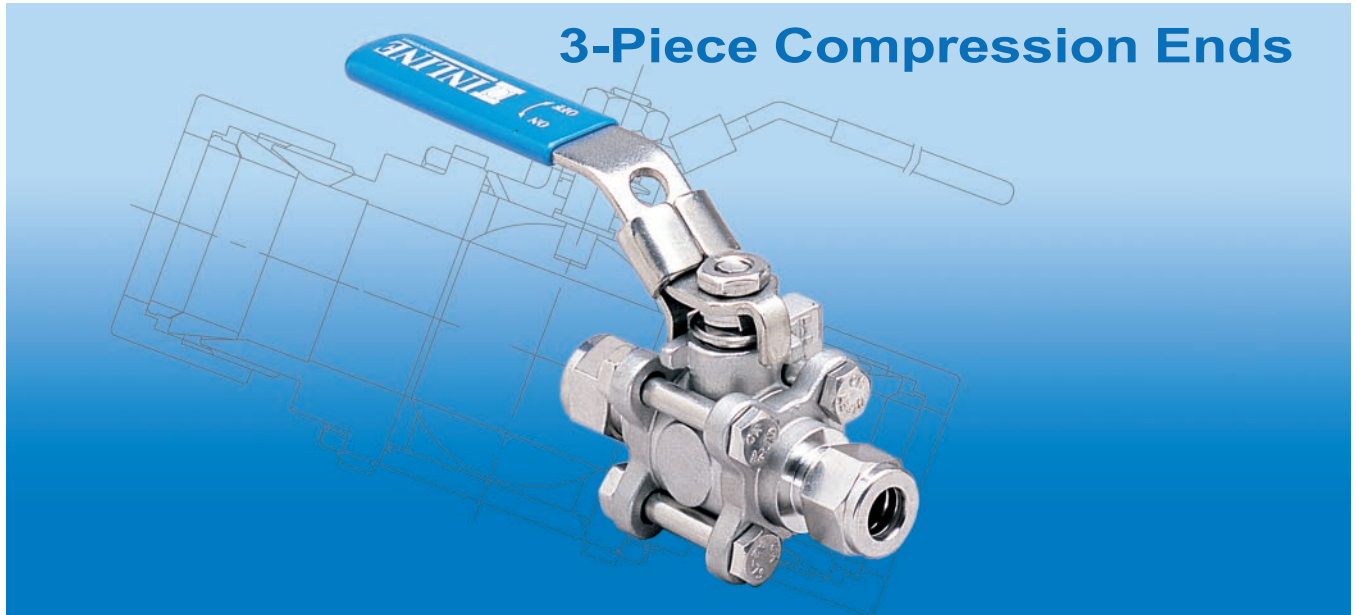
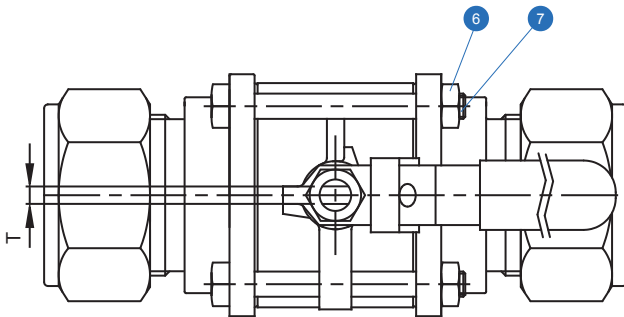


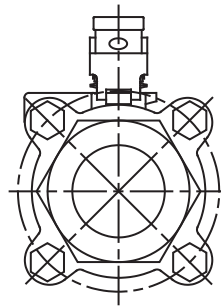
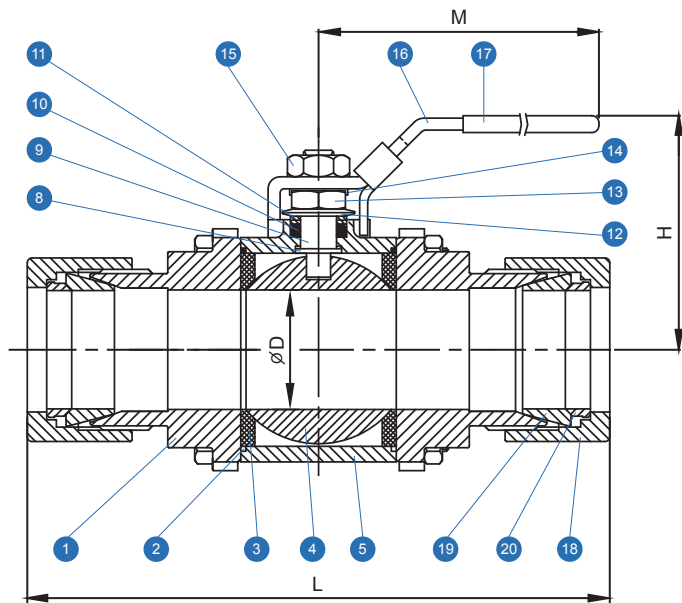
# 317C Instrumentation Ball Valve



## 3-Piece Compression Ends



- Temperature Range (PTFE Seats):  
-20°F - 350°F
- Maximum Pressure (PTFE Seats):  
1000 PSI (1/4" - 1")



Valve Components			
#	Part Name	Material	Qty.
1	End Cap	A351 Gr. CF8M	2
2	Body Seal	PTFE	2
3	Seat	PTFE	2
4	Ball	316SS	1
5	Body	A351 Gr. CF8M	1
6	Body Nut	304SS	4
7	Body Bolt	304SS	4
8	Thrust Washer	PEEK	2
9	Stem	316SS	1
10	Stem Packing Set	PTFE	1
11	Packing Gland	304SS	1
12	Belleville Washer	301SS	1
13	Nut Stop	304SS	1
14	Gland Nut	304SS	2
15	Handle Nut	304SS	1
16	Handle	304SS	1
17	Handle Cover	Vinyl	1
18	Locking Nut	316SS	2
19	Front Ferrule	316SS	2
20	Back Ferrule	316SS	2

\* Go to 317F series brochure for ordering information

Dimensions (Inches)					
Size	L	D	H	M	T
1/4	3.14	0.38	2.00	4.33	0.20
3/8	3.33	0.38	2.00	4.33	0.20
1/2	3.61	0.38	2.00	4.33	0.20
3/4	3.88	0.62	2.30	5.08	0.26
1	4.60	0.87	2.70	5.67	0.31



4701-A Littlejohn Street  
 Baldwin Park, CA 91706  
 Tel: (626) 813-6188  
 Fax: (626) 813-6186  
[www.ballvalve.com](http://www.ballvalve.com)  
[info@ballvalve.com](mailto:info@ballvalve.com)