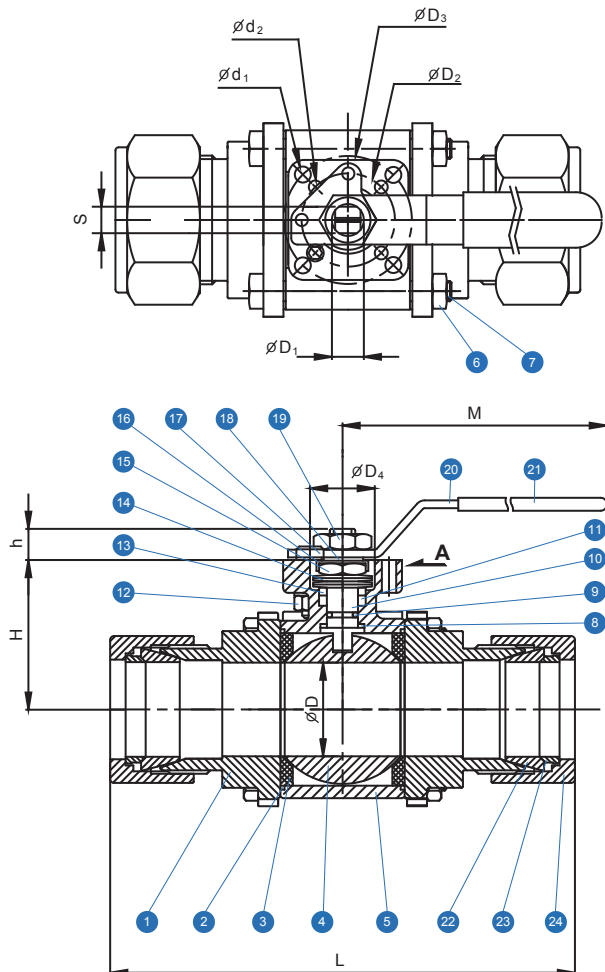
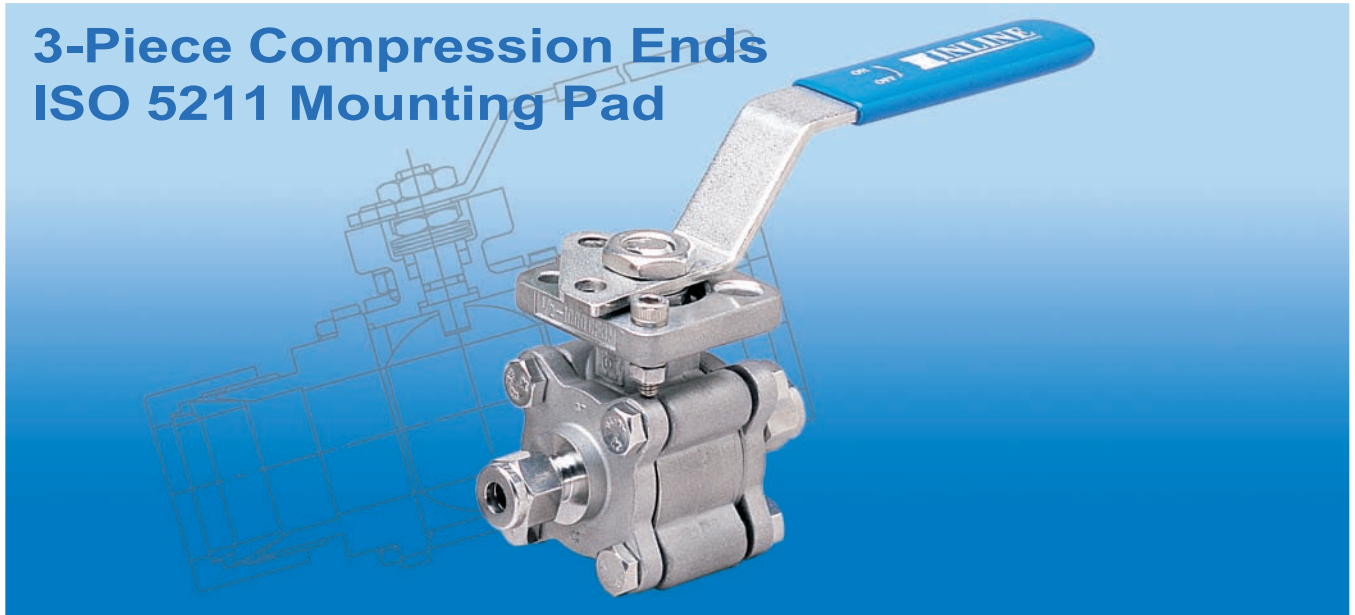


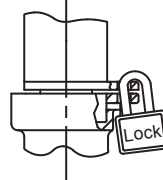
337C Instrumentation Ball Valve

3-Piece Compression Ends
ISO 5211 Mounting Pad



- Temperature Range (TFM Seats):
-20°F - 450°F
- Maximum Pressure (TFM Seats):
1000 PSI (1/4" - 1")

"A" View



Locking Device

Valve Components			
#	Part Name	Material	Qty.
1	End Cap	A351 Gr. CF8M	2
2	Body Seal	TFM	2
3	Seat	TFM	2
4	Ball	316L SS	1
5	Body	A351 Gr. CF3M	1
6	Body Nut	304SS	4
7	Body Bolt	304SS	4
8	Thrust Washer	PEEK	2
9	Stem O-Ring	Viton 90	1
10	Stem	316L SS	1
11	Stem Packing Set	TFM	1
12	Stop Pin Nut	304SS	1
13	Packing Gland	304SS	1
14	Belleville Washer	301SS	2
15	Stem Nut	304SS	1
16	Gland Nut	304SS	2
17	Stop Pin Bolt	304SS	1
18	Space Washer	304SS	1
19	Handle Nut	304SS	1
20	Handle	304SS	1
21	Handle Cover	Vinyl	1
22	Front Ferrule	316SS	2
23	Back Ferrule	316SS	2
24	Locking Nut	316SS	2

* Go to 337F series brochure for ordering information

Dimensions (Inches)												
Size	L	D	D ₁	D ₂	D ₃	D ₄	d ₁	d ₂	M	H	h	S
1/4	3.39	0.38	0.47	1.42	1.65	0.98	0.24	0.24	5.32	1.54	0.35	0.35
3/8	3.55	0.38	0.47	1.42	1.65	0.98	0.24	0.24	5.32	1.54	0.35	0.35
1/2	3.88	0.38	0.47	1.42	1.65	0.98	0.24	0.24	5.32	1.54	0.35	0.35
3/4	3.88	0.62	0.47	1.42	1.65	0.98	0.24	0.24	5.32	1.54	0.35	0.35
1	4.60	0.87	0.55	1.65	1.97	1.18	0.28	0.24	6.30	1.88	0.43	0.43