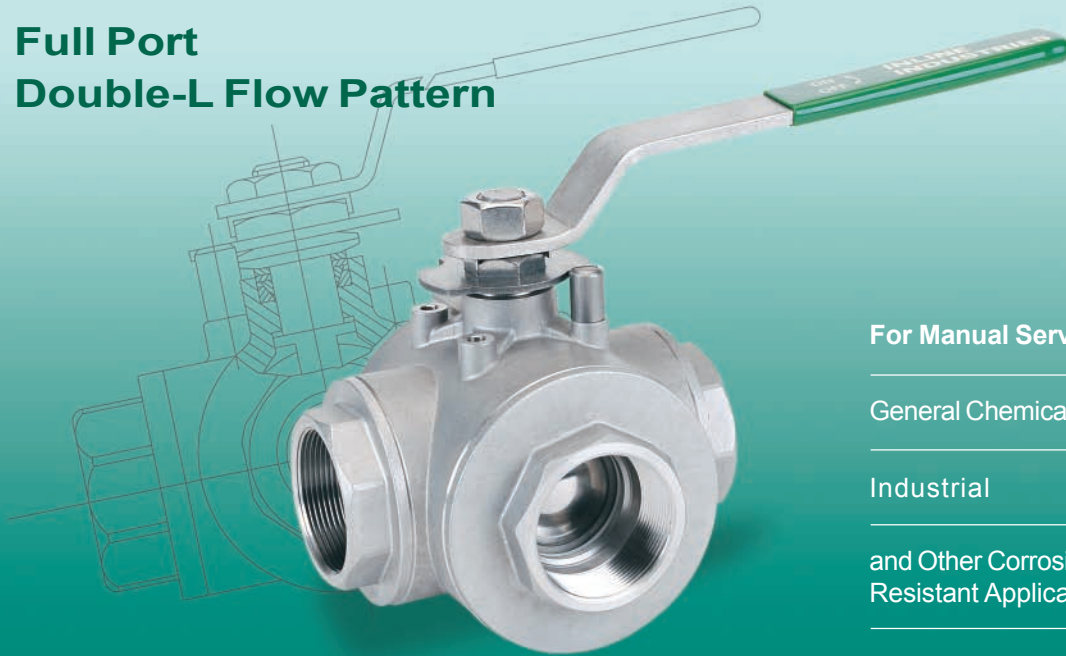


504F 4-Way Ball Valve

**Full Port
Double-L Flow Pattern**



For Manual Service

General Chemical

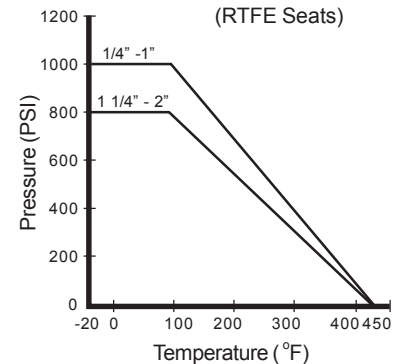
Industrial

and Other Corrosion
Resistant Applications

Standard Features and Benefits

- **Double-L Port Configuration**
- **Live-Loaded Stem Packing**
Provides constant load on the stem seal and extends service life
- **Blow-Out-Proof Stem**
Stem is bottom loaded to prevent removal when valve is in service
- **Balanced 4-Seat Construction**
4 seats maintain positive ball alignment
- **Reduces Number of Valves Required in Piping System**
- **Investment Cast Body and End Caps**

504F Pressure / Temperature Chart
(RTFE Seats)

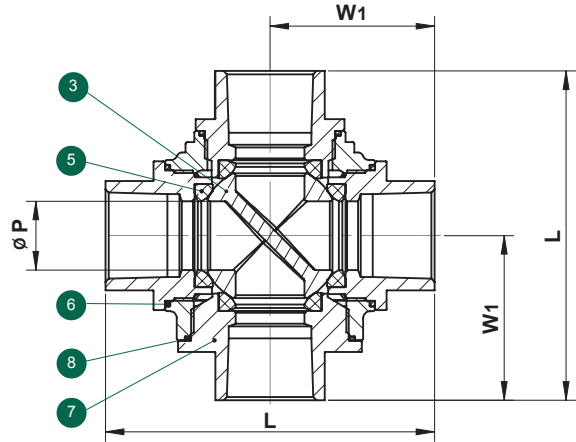
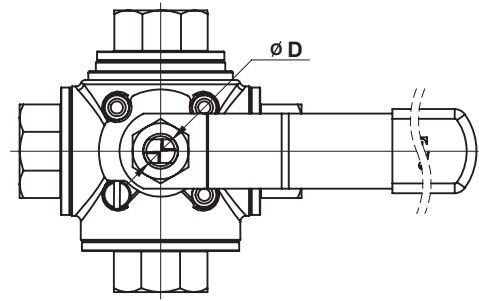
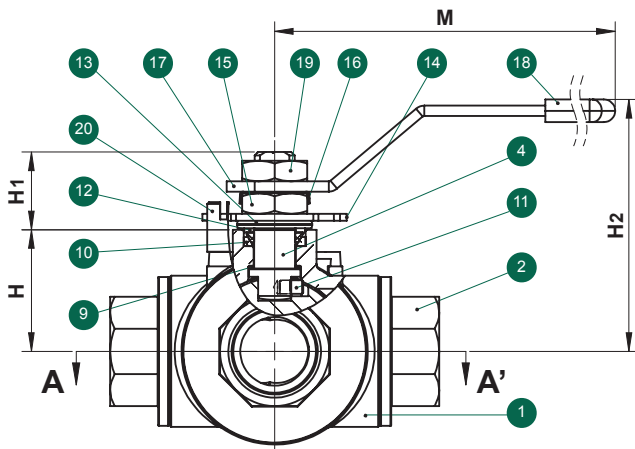


Operating Conditions

- Temperature range (RTFE):
-20°F ~ 420°F
- Maximum pressure (RTFE):
1000 PSI WOG (1/4" - 1")
800 PSI WOG (1 1/4" - 2")

Specifications

- All valves shell and seat tested to ANSI/ASME B16.34 and API 598
- End connections: All to B16.34;
NPT to B1.20.1



Valve Components			
#	Part Name	Material	Qty.
1	Body	A351 Gr. CF8M	1
2	End Cap (Small)	A351 Gr. CF8M	3
3	Ball	316SS	1
4	Stem	316SS	1
5	Seat	RTFE (15% C.F.)	4
6	Body Seal (Small)	PTFE	3
7	End Cap (Large)	A351 Gr. CF8M	1
8	Body Seal (Large)	PTFE	1
9	Thrust Washer	PEEK	1
10	Stem Packing Set	PTFE	1
11	Stem Set Pin	316SS	1
12	Gland Washer	304SS	1
13	Belleville Washer	301SS	2
14	Stop Plate	304SS	1
15	Gland Nut	304SS	2
16	Gland Nut Lock Washer	304SS	1
17	Handle	304SS	1
18	Handle Cover	Vinyl	1
19	Handle Nut	304SS	1
20	Stop Pin	304SS	1

Size	Dimensions (Inches)									
	L	M	P	H	H ₁	H ₂	W ₁	W ₂	D	Wt. (lbs)
504F										
1/4, 3/8	2.71	5.86	0.43	0.96	0.76	2.24	1.35	1.35	0.382	1.35
1/2	3.14	5.86	0.59	1.10	0.75	2.38	1.57	1.57	0.382	1.77
3/4	3.77	6.80	0.79	1.39	0.89	2.89	1.89	1.89	0.461	2.97
1	4.37	7.99	0.98	1.78	1.01	3.47	2.18	2.18	0.539	5.05
1 1/4	4.80	10.52	1.26	2.15	1.21	3.70	2.40	2.40	0.697	7.17
1 1/2	5.67	10.52	1.58	2.50	1.23	4.06	2.84	2.84	0.697	11.41
2	6.68	12.69	1.97	2.97	1.52	5.15	3.34	3.34	0.776	20.35

504F Ordering Information

Example: 2" Full Port Diverter Ball Valve with Lever Handle, 316SS Body and Trim, RTFE (15% G.F.) Seats and PTFE Seal, NPT Ends, Side Entry Double L-Port

Valve Series	Valve Size	Body Material	End Material	Ball Material	Stem Material	Seat	Seal	End Connection	Port Config.	Ball Config.
504F - Full Port	2 1/4"	6 - A351 Gr. CF8M (316)	6 - A351 Gr. CF8M (316)	6 - A351 Gr. CF8M (316)	6 - A351 Gr. CF8M (316)	C - RTFE (15% C.F.)	T - PTFE	T - NPT	7 - 4 Way Side Entry	D - Side Entry Double L-Port
	3 3/8"									
	5 1/2"									
	7 3/4"									
	A 1"									
	B 1 1/4"									
	C 1 1/2"									
	D 2"									

Due to continuous product development, information may change without notice.



INLINE INDUSTRIES, INC.

4701-A Littlejohn Street
 Baldwin Park, CA 91706
 Tel: (800) 568-8998
 (626) 813-6188
 Fax: (626) 813-6186
 www.ballvalve.com
 info@ballvalve.com

Distributed by: