

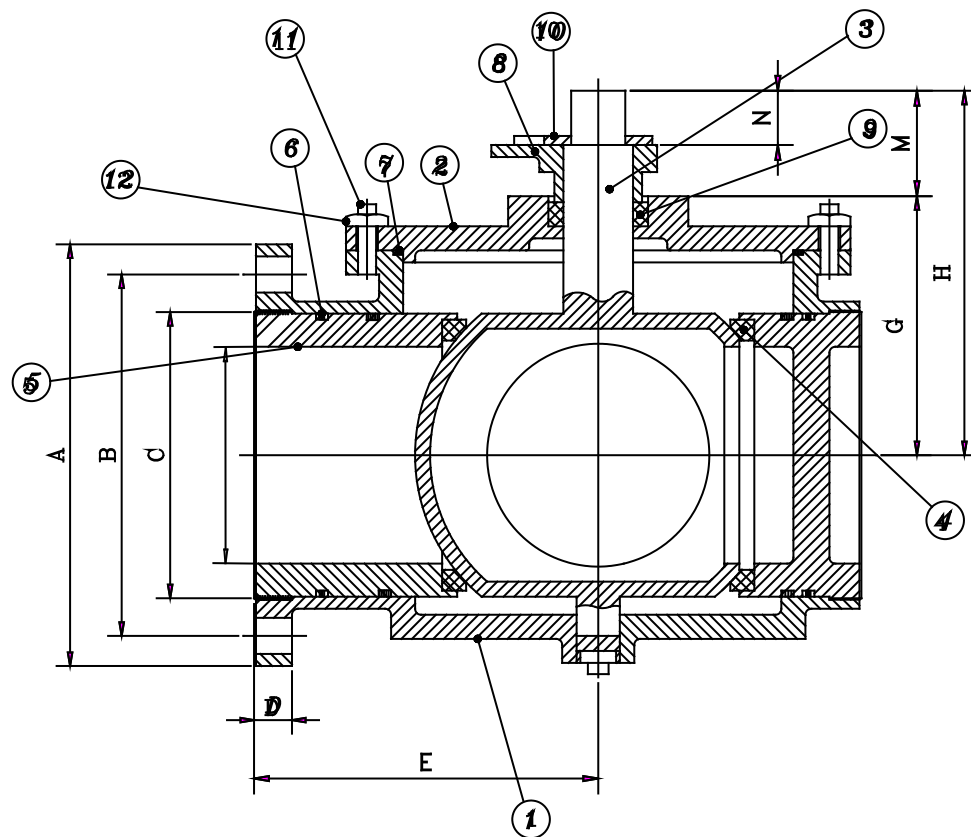
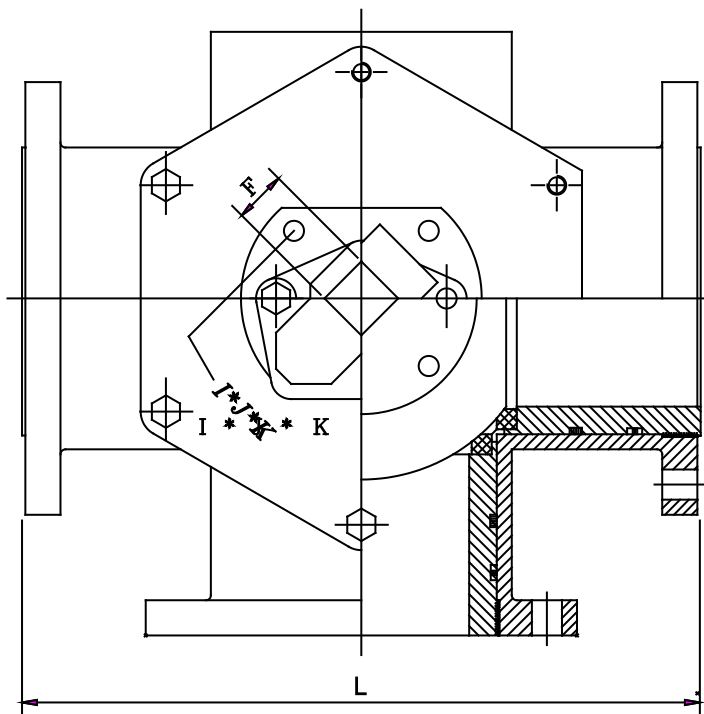
Inline

MATERIALS LIST

NO	PARTNAME	MATERIAL	
1	BODY	A351Gr.CF8M	A351Gr.CF8
2	BONNET	CF8M	CF8
3	BALL	316SS	304SS
4	SEAT	R-PTFE	R-PTFE
5	LINING	316SS	304SS
6	ORING	VITON	VITON
7	GASKET	R-PTFE	R-PTFE
8	GLAND FLANGE	316SS	304SS
9	GLAND PACKING	R-PTFE	R-PTFE
10	STOPPER	304SS	304SS
11	STUD	304SS	304SS
12	NUT	304SS	304SS

DIMENSIONS

VALVE SIZE		L	H	G	E	A	B	C	D	F	M	N	MOUNTING PAD DIMENSION HOLES * CIRCLE * SIZE	Wt. lbs
Inch	mm												I * J * K	
6"	150	450	240	174	225	279	241.5	216	25.4	32	68	50	4*125*M12*P1.75	247



6 3-Way BV
509F-AM-38

Inline Industries

VB-020