

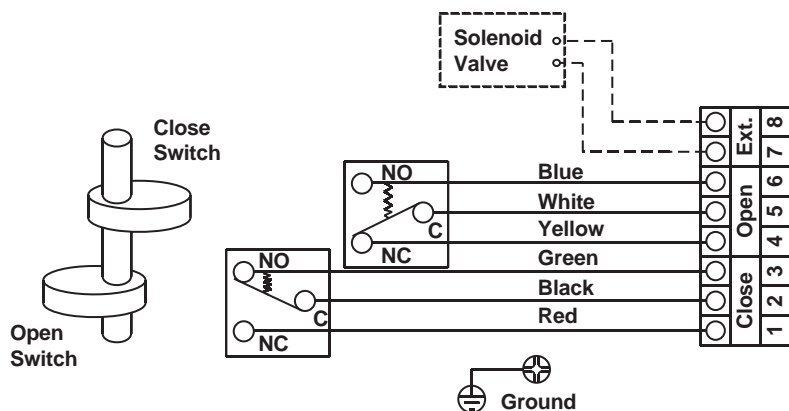
# A-P-INGL Limit Switch



## Standard Features and Benefits

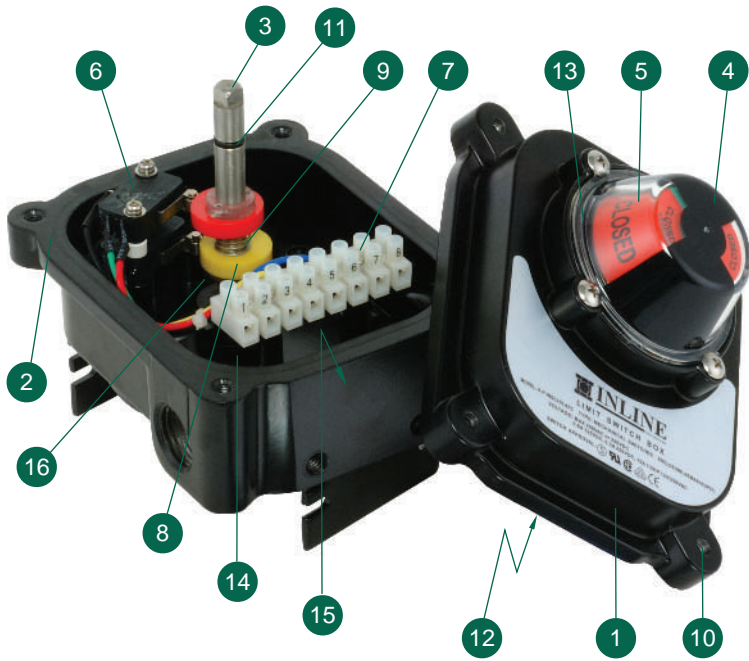
- 1 Aluminum Die-Cast Housing - Powder Coated
- 1 Multi-View Visual Position Indicator - Waterproof
- 1 Quick Set Cams - Spring Loaded
- 1 Multiport Terminal Strip - Easy Access
- 1 Dual Cable Entry - 2 x 1/2
- 1 Captive Bolts on Cover - No Loose Bolts to Lose While Unit is Apart
- 1 Easy Mounting - NAMUR

## (2 SPDT) Wiring Diagram

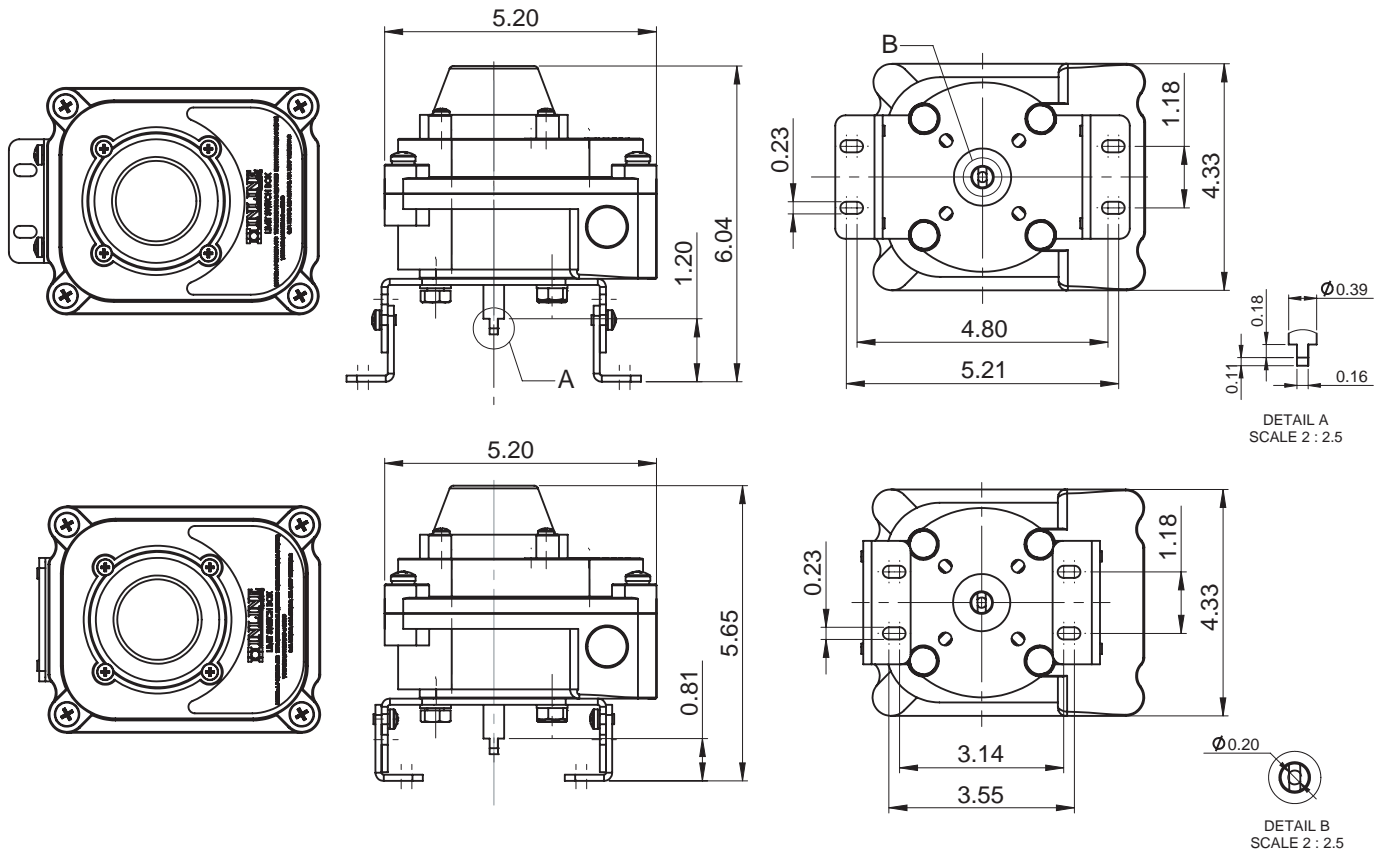


## Specification

Model		Weather proof	Temperature Range	Cable Entry	Terminal Strips	Position Indicator	Switches
A-P-INGL	Standard	IP67 NEMA 4/4X	-4°F ~ 185°F	2 x 1/2	8 Pts.	0 - 90° Open - Yellow Close - Red	Mechanical (15A125-250VAC) 24 VAC/VDC
	Option			2-M20 x 1.5 2 x 1/2 NPT	9 - 24 Pts.		



No.	Part Name	Material	Qty.
1	Box Cover	Aluminum Die Casting	1
2	Box Body	Aluminum Die Casting	1
3	Shaft	Stainless Steel	1
4	Indicator Cover	Polycarbonate	1
5	Indicator	ABS/Polycarbonate	1
6	Limit Switch	Mechanical	2
7	Terminal Strip	Polycarbonate Tin Plated Brass Stainless Steel	8
8	Cam	Polycarbonate	2
9	Spring	Stainless Steel	1
10	Cover Bolts	Stainless Steel	4
11	Shaft O-Ring	NBR	2
12	Housing O-Ring	NBR	1
13	Indicator O-Ring	NBR	1
14	Bushing	Bronze	2
15	Ground Screw	Stainless Steel	1
16	E-Ring	Stainless Steel	2



**INLINE INDUSTRIES, INC.**

4701-A Littlejohn Street  
 Baldwin Park, CA 91706  
 Tel: (626) 813-6188  
 Fax: (626) 813-6186  
 www.ballvalve.com  
 info@ballvalve.com

Distributed by: