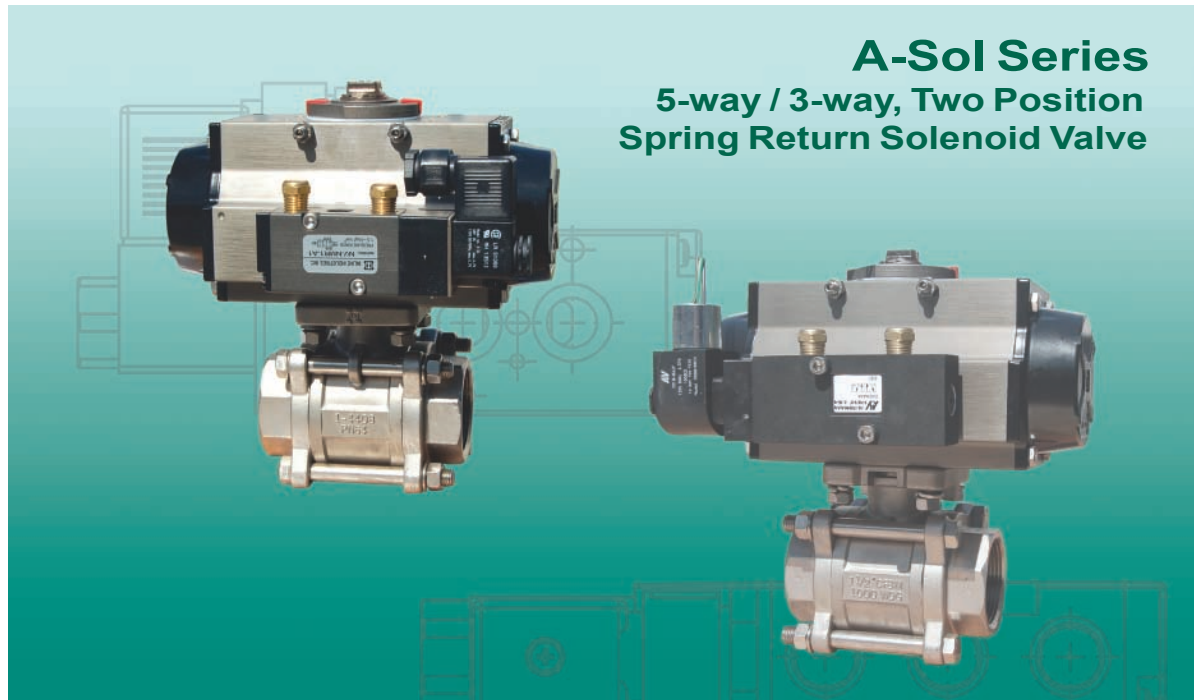


A-Sol Solenoid Valve



Standard Features

- Namur Mount
- Nema 4 / 4X / IP65
- 100% Duty Cycle
- Manual Override

Options

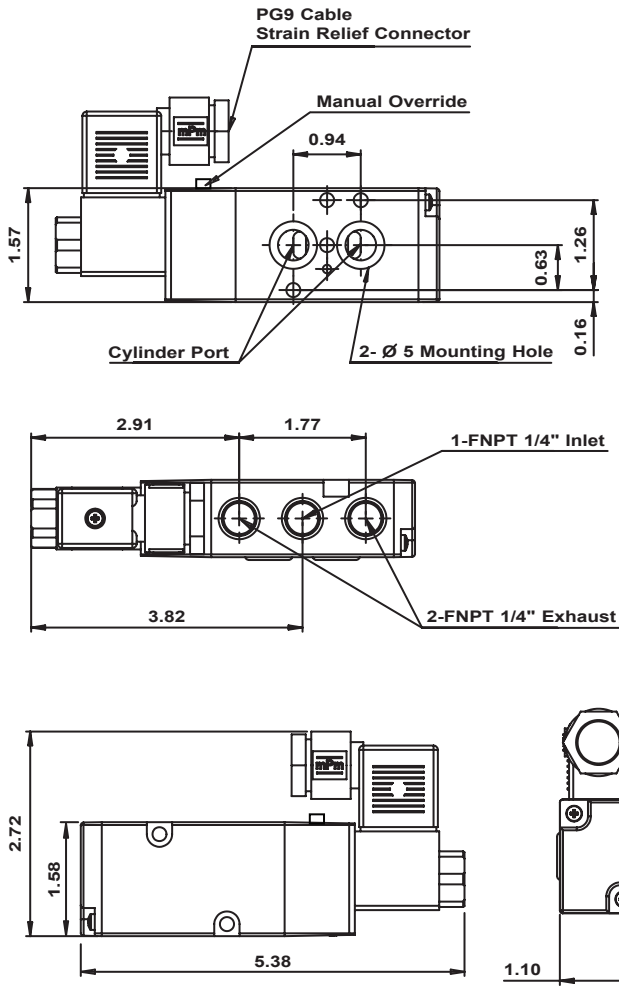
- 24VAC, 110V, 220V, or 12 & 24 VDC
- Nema 7
 - CL I: Div. 1; GR. A, B, C, D
 - CL II: GR. E, F, G
 - NEMA: 4, 4X, 7C, 7D
- Dual Coil

Specification

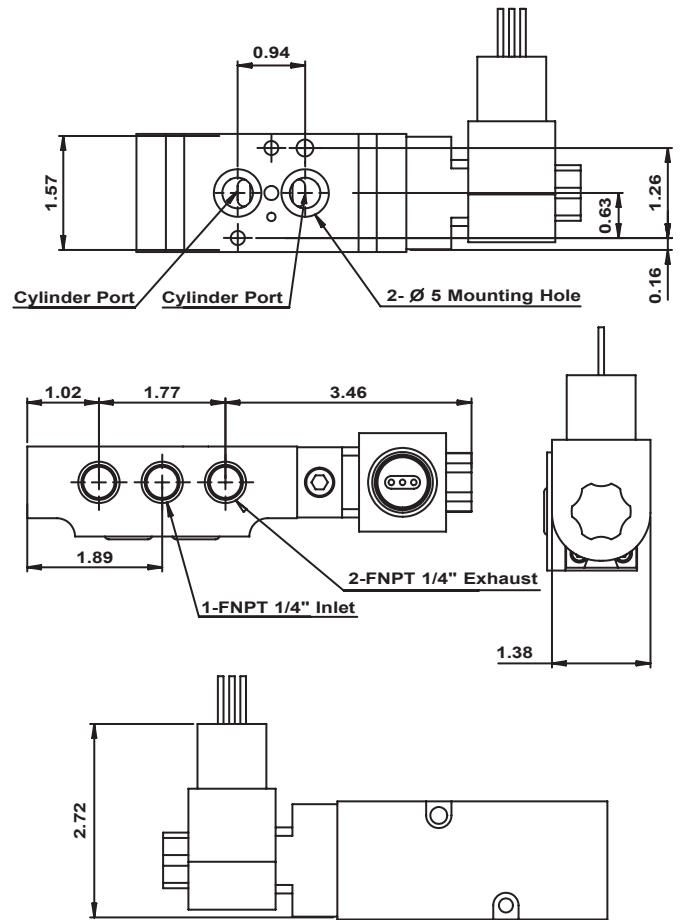
| Model | Orifice Area | CV Factor |
|--------------|--------------------|-----------|
| A-SOL-N4-NMR | 25 mm ² | 1.40 |

| Rate Voltage | AC 110V 50/60 HZ | AC 220V 50/60 HZ | DC 24V 50/60 HZ |
|------------------------|--|---------------------|--------------------|
| Power Consumption | 4.8 W / 200 mA | | |
| Coil Insulation | JISC3202-B Class | | |
| Electrical Connection | DIN 46350 / Strain Relief Electrical Connector (PG9 Cable) | | |
| Duty Cycle | 100% (Continuous) | | |
| Temperature (°F) | 41 °F ~ 122 °F | | |
| Working Pressure | 22 - 116 PSI | | |
| Maximum Temp./Pressure | 202 °F / 174 PSI | | |

Nema 4 / 4X



Nema 7



A-SOL

N4

NMR

1

110V

| Series | Model | Namur Type | Operator | Voltage |
|------------------|--|---------------------------------|--|--|
| A-SOL - Solenoid | N4 / 4X - Nema 4 Standard Coil | NMR - Namur Type 5 Way Valve | 1 - Single Operator 2 - Double Operator | A24V - AC 24V 50/60 Hz |
| | N7 - Nema 7 Explosion Proof Coil | | | 110V - AC 110V 50/60 Hz 220V - AC 220V 50/60 Hz 12V - DC 12V 24V - DC 24V |



INLINE INDUSTRIES, INC.

4701-A Littlejohn Street
Baldwin Park, CA 91706
Tel: (626) 813-6188
Fax: (626) 813-6186
www.ballvalve.com
info@ballvalve.com

Distributed by: