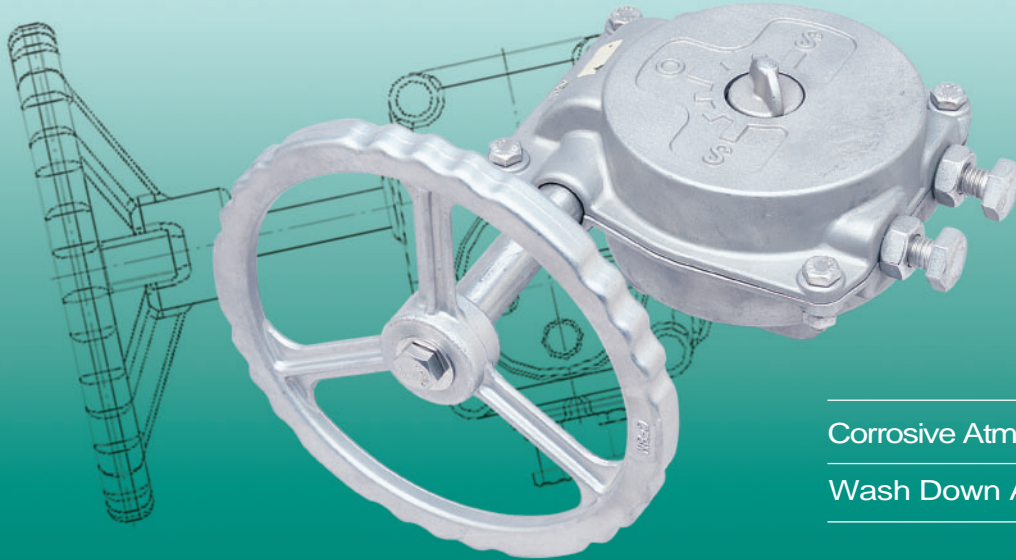


# GB Gear Operator

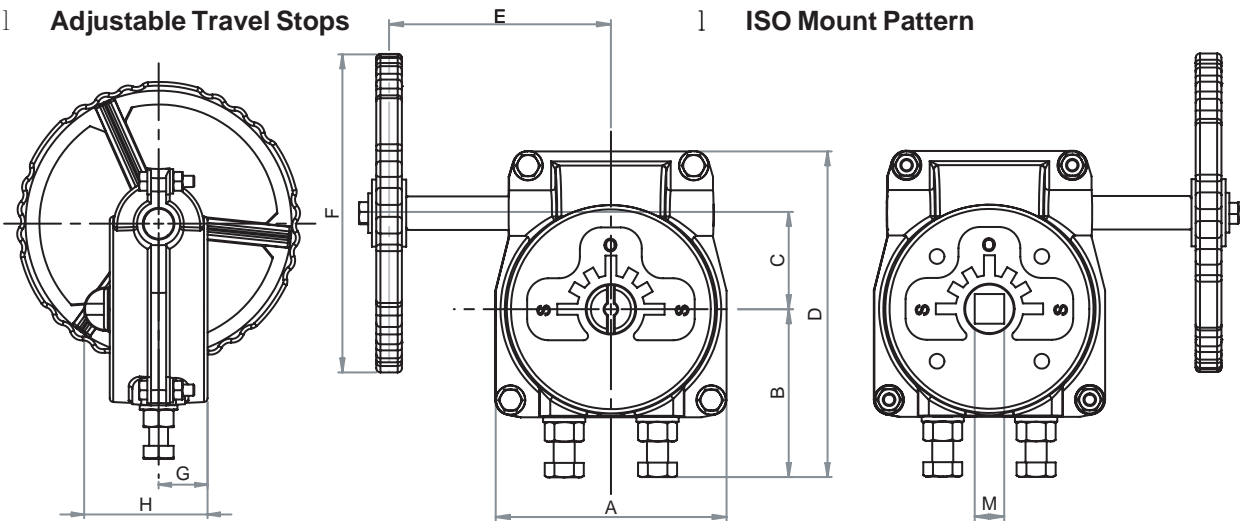
## C - Series



Corrosive Atmospheres  
Wash Down Areas

## Standard Features and Benefits

- 1 Gear Box, Shaft and Handwheel are CF8M
- 1 Adjustable Travel Stops
- 1 Position Indication
- 1 ISO Mount Pattern



		Allowable Valve Stem Diameter		Dimensions (Inches)											
Series	Depth	Min	Max	A	B	C	D	E	F	G	H	ISO 5211 Pattern	Gear Rate	Torque (in/max.)	Wt. (lbs)
C07	2.28	0.36	0.56	4.30	3.13	1.81	6.07	4.83	5.93	1.02	2.58	F07	1:40	1000	4.87
C10	2.55	0.56	0.88	5.98	3.98	2.90	8.16	9.70	5.93	1.02	2.58	F10	1:36	4000	9.48

Due to continuous product development, information may change without notice.



4701-A Littlejohn Street, Baldwin Park, CA 91706

Tel: (626) 813-6188 | Fax: (626) 813-6186

info@ballvalve.com | www.ballvalve.com